

Frame retractor system for anterior and lateral spinal access

bluCLAS Clever Access System



+ Simple handling
+ Quick set-up

bluCLAS – The clever frame retractor system from G BLUE LABEL™ for anterior and lateral spinal access

The particularly simple handling of the uCLAS enables the system to be set up in a very short amount of time by a single person. An economical gain for any daily OR routine!

The various anatomically shaped blades optimally fit the patient's anatomic requirements and allow the surgeon to securely keep access to the spine open, even deep in the surgical site, and avoid damage to blood vessels. The stable, reliable system significantly reduces the amount of staff required and yet ensures smooth OR procedures.

The latching mechanism of the universal clamp and the blades which are interchangeable intraoperatively guarantee rapid and uncomplicated blade changes as needed and thus optimized surgical time.



Even with small skin incisions, tiltable blade holders create enough space for preparation of the spine.



The round, warp-resistant frame is attached firmly to the OR table and thus guarantees secure access to the site as well as an unimpeded view.

Due to the dovetailing of the arm attachment, the connection is perfect for protecting against any kind of movement and contributes to overall stability.



bluCLAS – The unique special features at a glance



Rapid set-up in less than 3 minutes



No tool needed



Safe access through anatomical shape of blades



Easy change via a 2-click latching mechanism



Tiltable blade holder for small incision



Stable and warp-resistant frame



Dovetailing provides double protection against movement



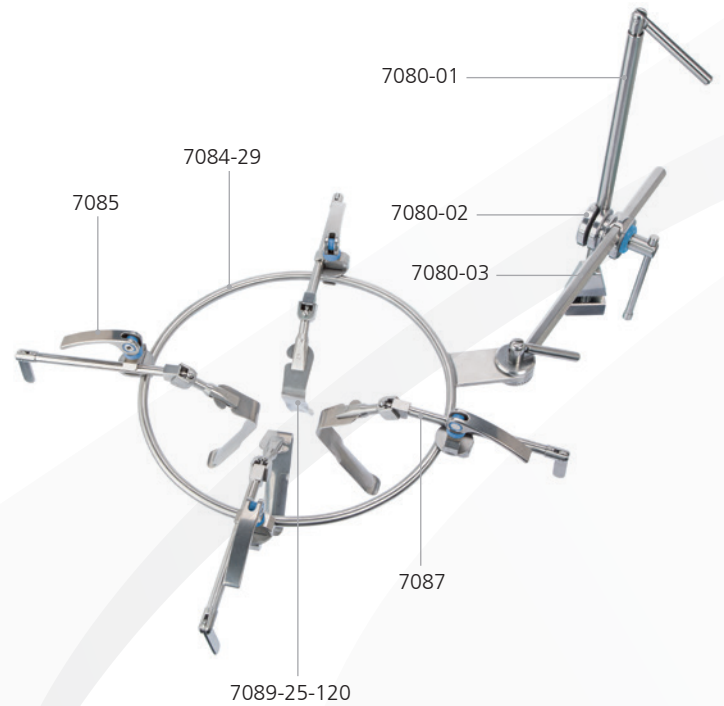
Your medical PLUS

- + 42% reduction in set-up time with just one click
- + Blade adjustment maneuver No tool needed
- ++ Resultant time savings in OR procedures



bluCLAS – Available components

Item number	Description
UL7080-01	Rail clamp
UL7080-02	Toothed clamp
UL7080-03	Frame support bar
UL7084-29	Circular retractor frame diameter 290 mm
UL7084-24	Circular retractor frame diameter 240 mm
UL7085	Universal clamp
UL7086	Blade holder, universal
UL7087	Blade holder, special, angling



Steel blades

Item number	Description
UL7089-25-80	Blade, steel, anatomical shape, 25 x 80 mm
UL7089-25-120	Blade, steel, anatomical shape, 25 x 120 mm
UL7089-25-160	Blade, steel, anatomical shape, 25 x 160 mm

Titanium blades

Item number	Description
UL7089-25-80T	Blade, titanium, anatomical shape, 25 x 80 mm
UL7089-25-120T	Blade, titanium, anatomical shape, 25 x 120 mm
UL7089-25-160T	Blade, titanium, anatomical shape, 25 x 160 mm

Accessory and Tray

Item number	Description
UL7090	Flexible illumination terminal with universal connector
UA7080	Tray with lid



Possible set configurations for use

Basic Anterior Spine Set

Item number	Description	Qty
UL7080-01	Rail clamp	1
UL7080-02	Toothed clamp	1
UL7080-03	Frame support bar	1
UL7084-29	Circular retractor frame diameter 290 mm	1
UL7085	Universal clamp	4
UL7086	Blade holder, universal	4
UL7087	Blade holder, special, angling	2
UL7089-25-80	Blade, steel, anatomical shape, 25 x 80 mm	4
UL7089-25-120	Blade, steel, anatomical shape, 25 x 120 mm	4
UL7089-25-160	Blade, steel, anatomical shape, 25 x 160 mm	2

Basic Antero-Lateral MIS-Set

Item number	Description	Qty
UL7080-01	Rail clamp	1
UL7080-02	Toothed clamp	1
UL7080-03	Frame support bar	1
UL7084-29	Circular retractor frame diameter 290 mm	1
UL7085	Universal clamp	6
UL7086	Blade holder, universal	2
UL7087	Blade holder, special, angling	4
UL7089-25-80	Blade, steel, anatomical shape, 25 x 80 mm	4
UL7089-25-120	Blade, steel, anatomical shape, 25 x 120 mm	4
UL7089-25-160	Blade, steel, anatomical shape, 25 x 160 mm	2

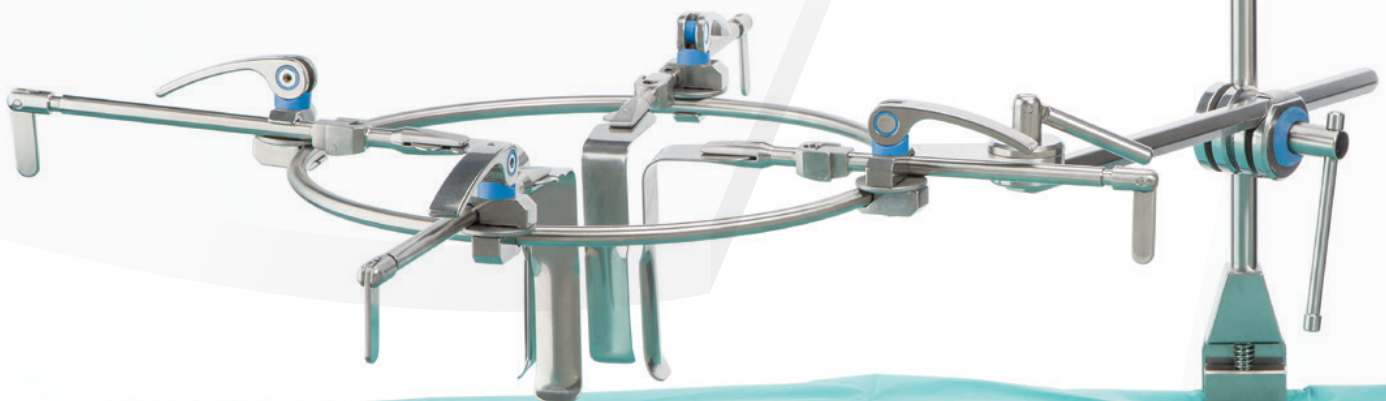


Light-set

Item number	Description	Qty
UL7085	Universal clamp	1
UL7090	Flexible illumination terminal with universal connector	1

Tray

Item number	Description
UA7080	Tray with lid





GEISTER Medizintechnik GmbH

Föhrenstrasse 2 | D-78532 Tuttlingen | Germany

☎ +49 7461/966240 | 📠 +49 7461/9662422

www.gbluelabel.de | info@gbluelabel.de