



ThoraGate™

VATS/Soft-Touch



GEISTER®



Index	Page
Atraumatic Clamps	4-7
Needle Holders	7
Graspers	8-11
Foerster	8
Allis	9
Duval	10
Node	10-11
Dissectors	12
Cobra	12
Clamps	12
Scissors	13
miniVATS	14-17
ValveGate™ PRO	18-21
Rib Scissors	22
Knot Pusher	22
Graspers axial handle	23
Suction tubes	24
Retractors articulating	25
Fan retractors	25
Sets	26
LapProtector™	27
VATSation™	28-33

GEISTER® continues to lead the evolution to video-assisted thoracic surgery (VATS) with this new generation of thoracoscopic minimally invasive surgery instruments, made from special forgings featuring a rounder contour shape and softer touch compared to most traditional sliding shaft instruments and providing a handle feeling that is more comparable to box-lock type clamps with the associated tactile feedback, while providing deep access through ports or small thoracic incisions.

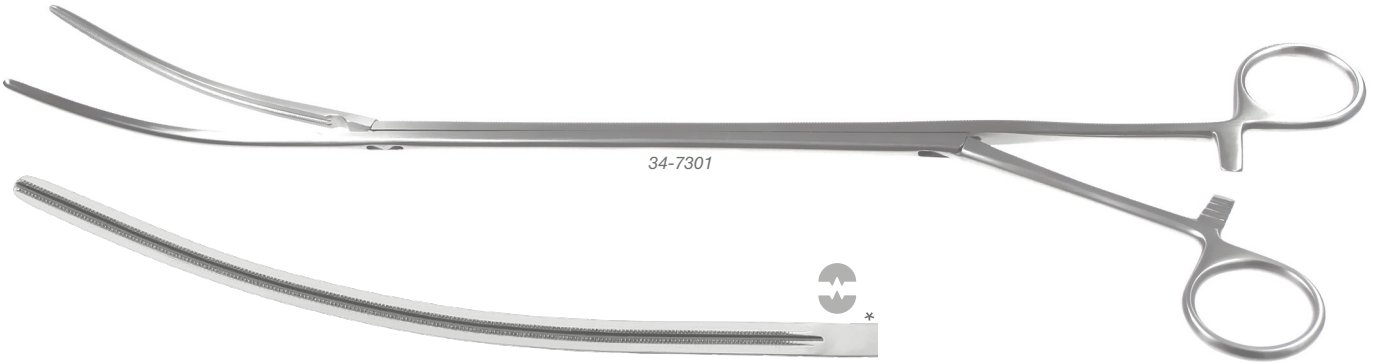
Excellent ergonomics with large handle rings, superb craftsmanship, secured pins and wider gaps for cleanability provide for long lasting functionality and performance.



new
Soft-Touch
less invasive
Elastic
tactile behaviour
Fitted for success
balanced
Durable



Atraumatic Clamps



34-7301

Jaw: 115/100 mm, curved
Ratchet: with
Length: 370 mm



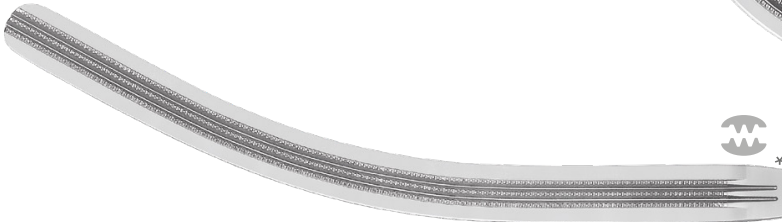
34-7302

Jaw: 65/50 mm, curved
Ratchet: with
Length: 330 mm



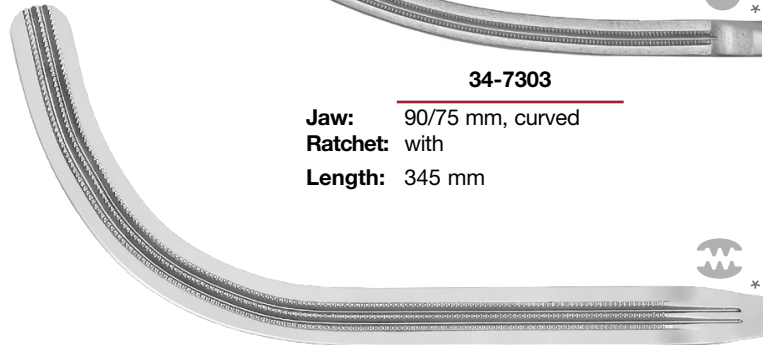
34-7303

Jaw: 90/75 mm, curved
Ratchet: with
Length: 345 mm



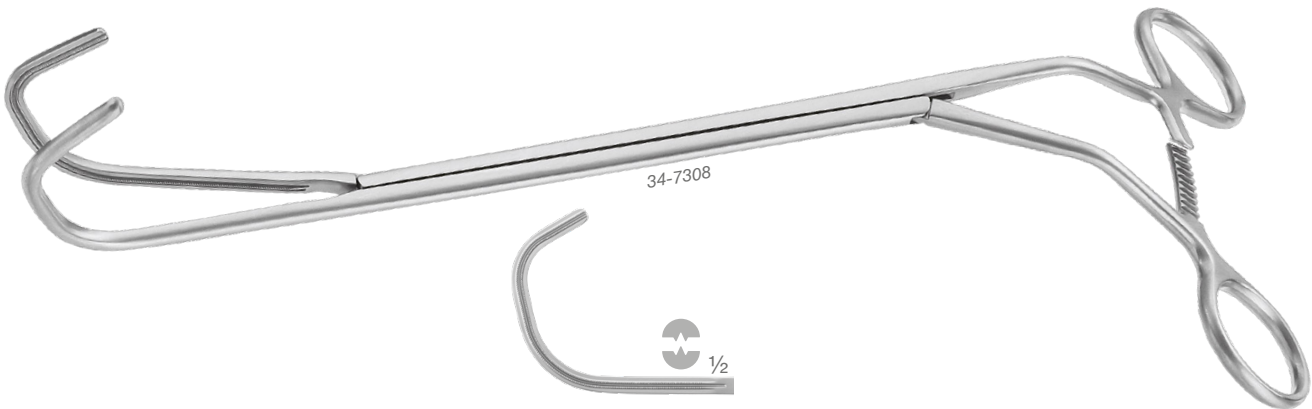
34-7306

Jaw: 115/100 mm, curved
Ratchet: with
Length: 370 mm



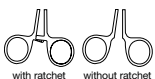
34-7311

Jaw: 100/85 mm, strongly curved
Ratchet: with
Length: 345 mm

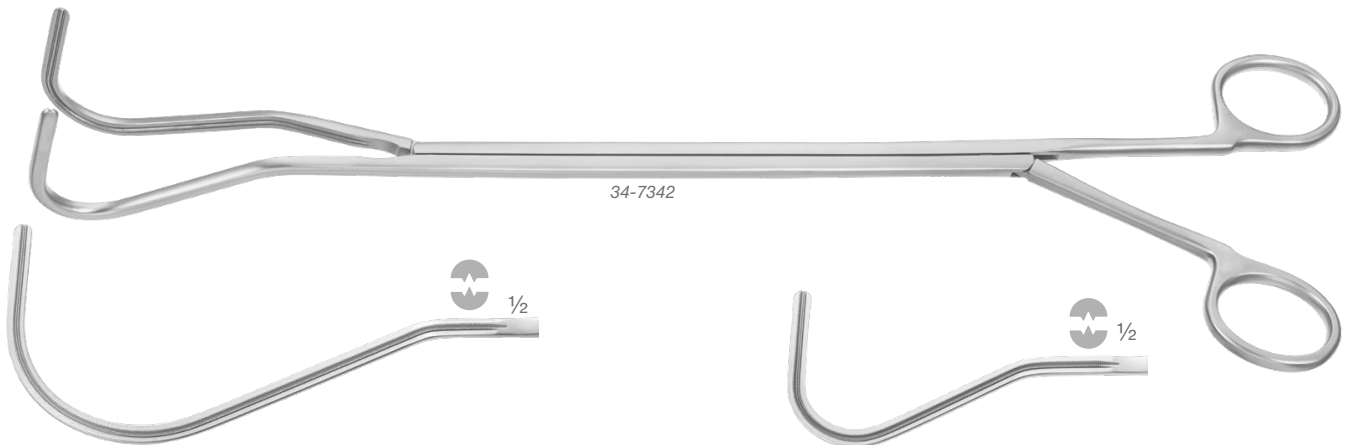


34-7308

Jaw: 75 mm
Lambert-Kay-shape
Ratchet: with
Length: 310 mm



Atraumatic Clamps



34-7309

acc. Semb
Ratchet: without
Length: 390 mm

34-7342

Dissecting Clamp
Ratchet: without
Length: 355 mm



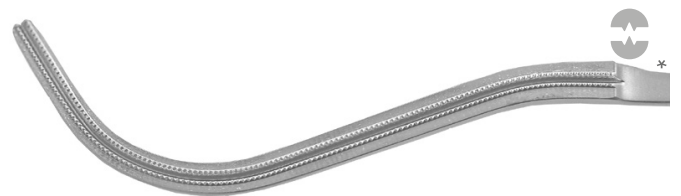
34-7317

34-7317

acc. Harken
Jaw: 85/70 mm, Fig.1
Ratchet: without
Length: 350 mm

34-7317.SP

with

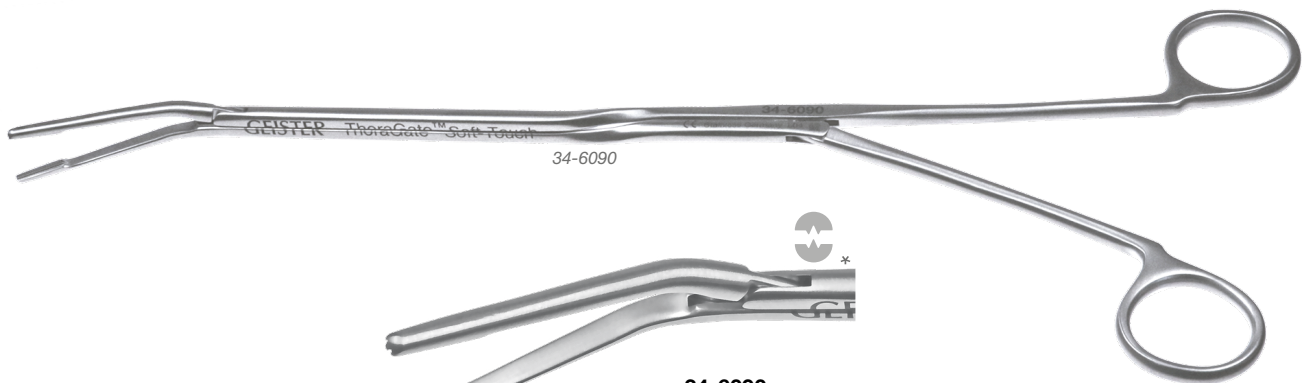


34-7318

acc. Harken,
Jaw: Fig.2
Ratchet: without
Length: 350 mm

34-7318.SP

with



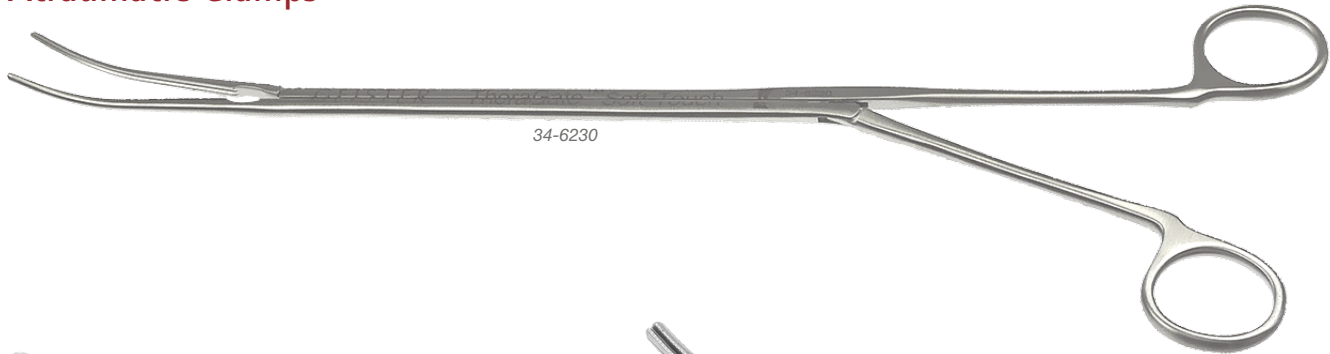
34-6090

34-6090

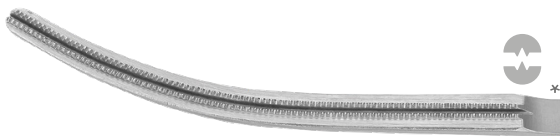
Jaw: 50/13 mm, 30° angled horizontally opening
Ratchet: without
Length: 320 mm



Atraumatic Clamps



34-6230



34-6230

Jaw: 75/60 mm, slightly curved
Ratchet: without
Length: 350 mm



34-6231

Jaw: 70/60 mm, curved
Ratchet: without
Length: 345 mm



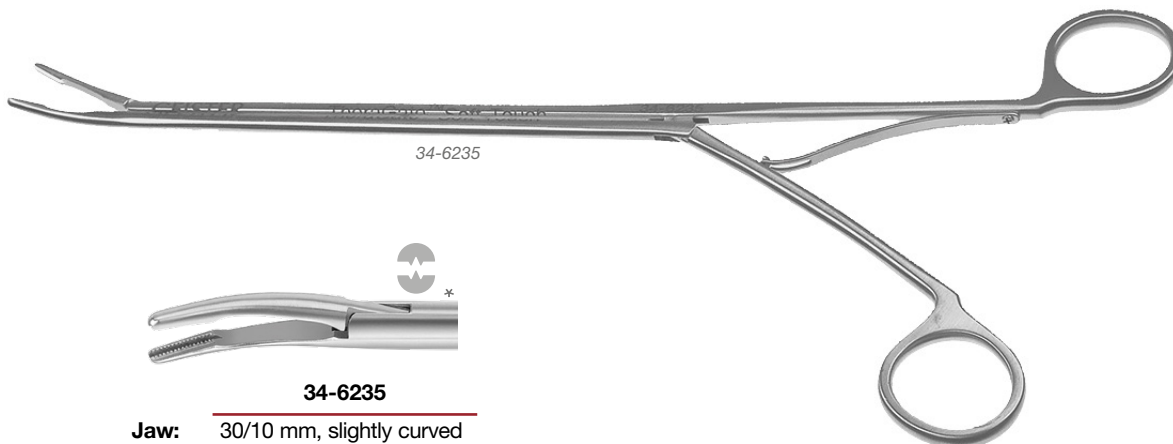
34-6232

Jaw: 65/50 mm strongly curved
Ratchet: without
Length: 335 mm



34-6233

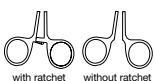
Jaw: 65/50 mm, strongly curved,
Ratchet: without
Length: 340 mm



34-6235

34-6235

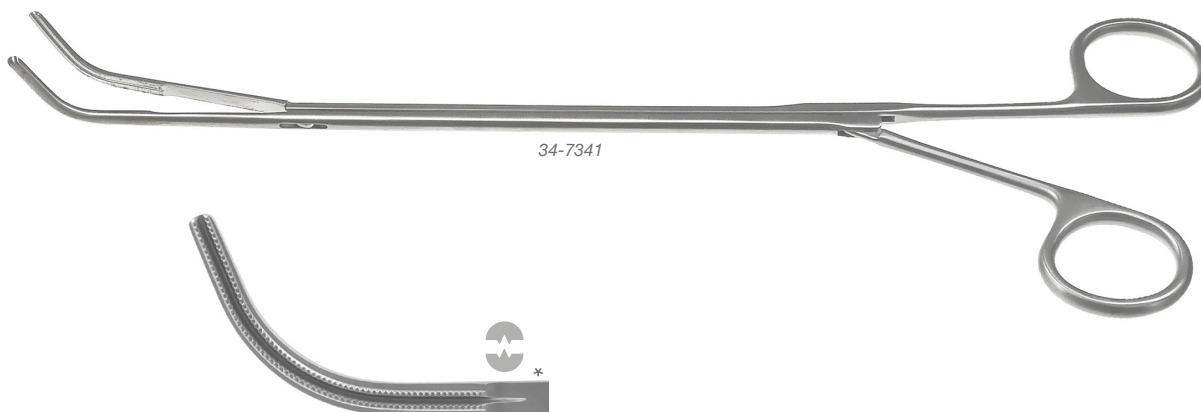
Jaw: 30/10 mm, slightly curved
Length: 310 mm



with ratchet without ratchet



Atraumatic Clamps



	34-7341	34-7341.SP
Jaw:	strongly curved, 1x2 DeBakey serrations shaft 6,5 mm	shaft 5,0 mm
Ratchet:	without	with
Length:	290 mm	

Needle Holders



	34-7351	34-7353
Jaw:	TC, straight	delicate
Ratchet:	with	with
Length:	340 mm	290 mm

	34-7352	34-7354
Jaw:	TC, curved	delicate
Ratchet:	with	with
Length:	340 mm	290 mm



Graspers



34-6269



*

34-6269

34-6269.NC

	acc. Foerster	
Jaw:	17x8 mm, curved small smooth	
Ratchet:	with	without
Length:	365 mm	



*

34-6270

	acc. Foerster
Jaw:	20x12 mm, curved
Ratchet:	with
Length:	370 mm



34-7330R



*

34-7330R

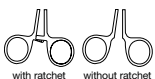
	acc. Foerster
Jaw:	7x13 mm, curved
Ratchet:	with
Length:	350 mm



*

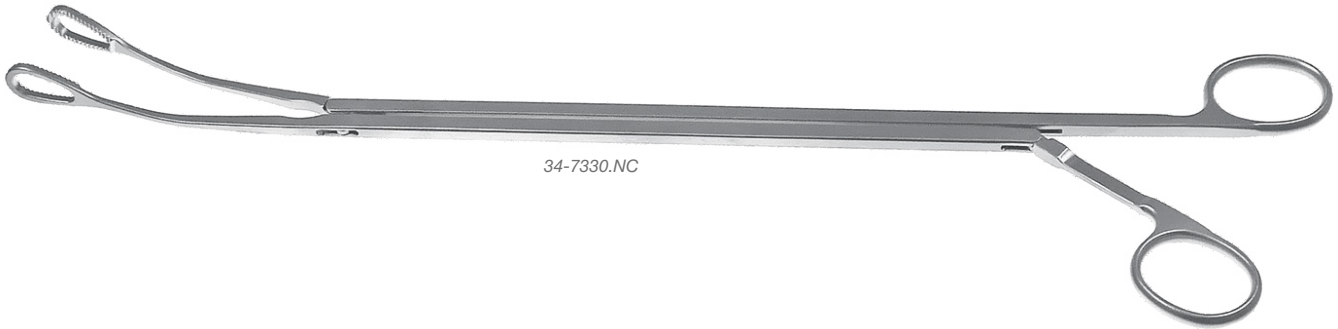
34-7329

	acc. Foerster
Jaw:	20x32 mm, curved
Ratchet:	with
Length:	350 mm



with ratchet without ratchet

Graspers



34-7330.NC



	34-7330	34-7330.NC
Jaw:	10x25 mm, 10 mm, curved	
Ratchet:	with	without
Length:	350 mm	

	34-6272
Jaw:	20x10 mm, oval ring Decortication, curved
Ratchet:	with
Length:	335 mm



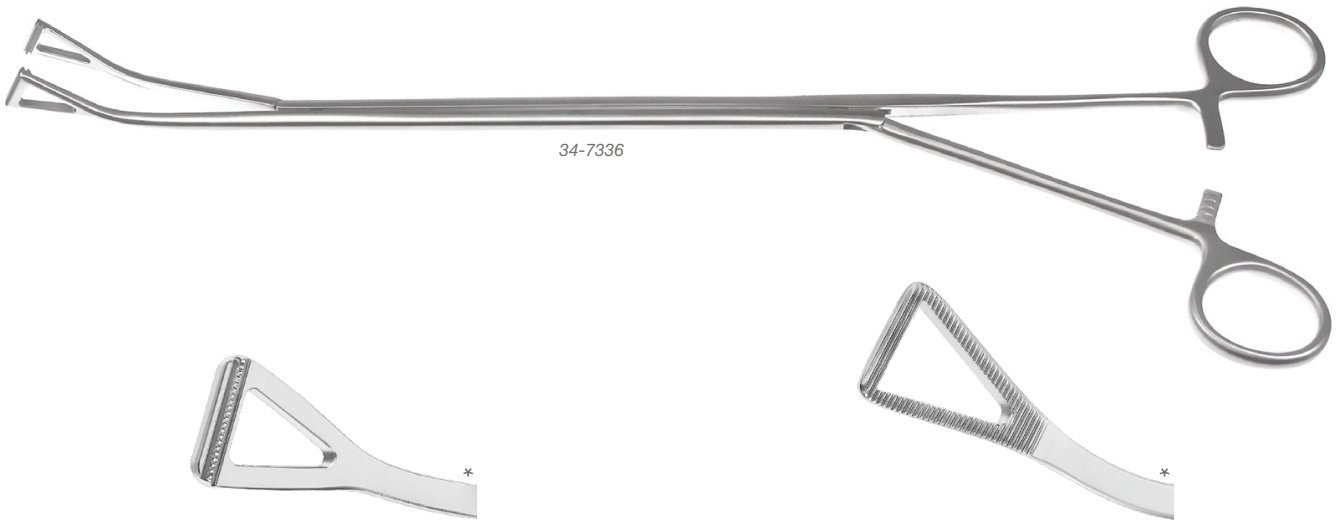
34-7325



	34-7325
	acc. Allis
Jaw:	5x6 teeth, 7 mm, curved
Ratchet:	with
Length:	340 mm



Graspers



34-7336

Jaw: acc. Duval
14 mm, curved
atraumatic
Ratchet: with
Length: 345 mm

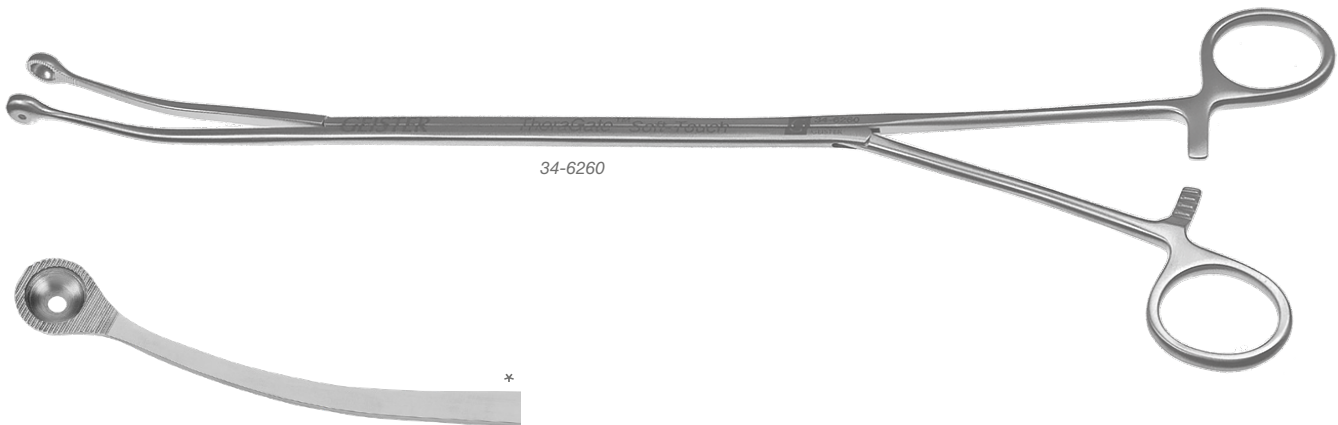
34-7335

Jaw: acc. Duval
15 mm, curved
Ratchet: with
Length: 340 mm

34-7334

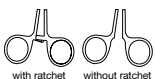
25 mm, curved
with

Node Graspers



34-6260

Jaw: curved round
Ratchet: with
Length: 365 mm



with ratchet without ratchet

Node Graspers



	34-6280	34-6280.SP
Jaw:	4x11 mm	
Ratchet:	without	with
Length:	325 mm	



	34-6281	34-6281.SP
Jaw:	4x11 mm, 20° curved	
Ratchet:	without	with
Length:	325 mm	



	34-6282	34-6282.SP
Jaw:	4x11 mm, 45° curved	
Ratchet:	without	with
Length:	320 mm	



	34-7337	34-7337.NC
Jaw:	6x11 mm, curved	
Ratchet:	with	without
Length:	340 mm	340 mm



Cobra Dissector



34-6268



34-6268

Jaw: 7,5x6 mm, angled
Ratchet: without
Length: 340 mm

Clamps

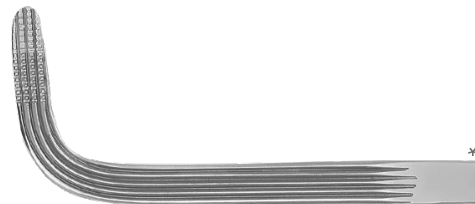


34-7312



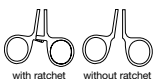
34-7312 **34-7312.SP**

Jaw: serrated
Ratchet: without with
Length: 340 mm



34-7313 **34-7313.SP**

Jaw: acc. DeBakey-Cooley
70/55 mm, 90° curved,
Pusher,
Ratchet: without with
Length: 340 mm



with ratchet without ratchet

Scissors

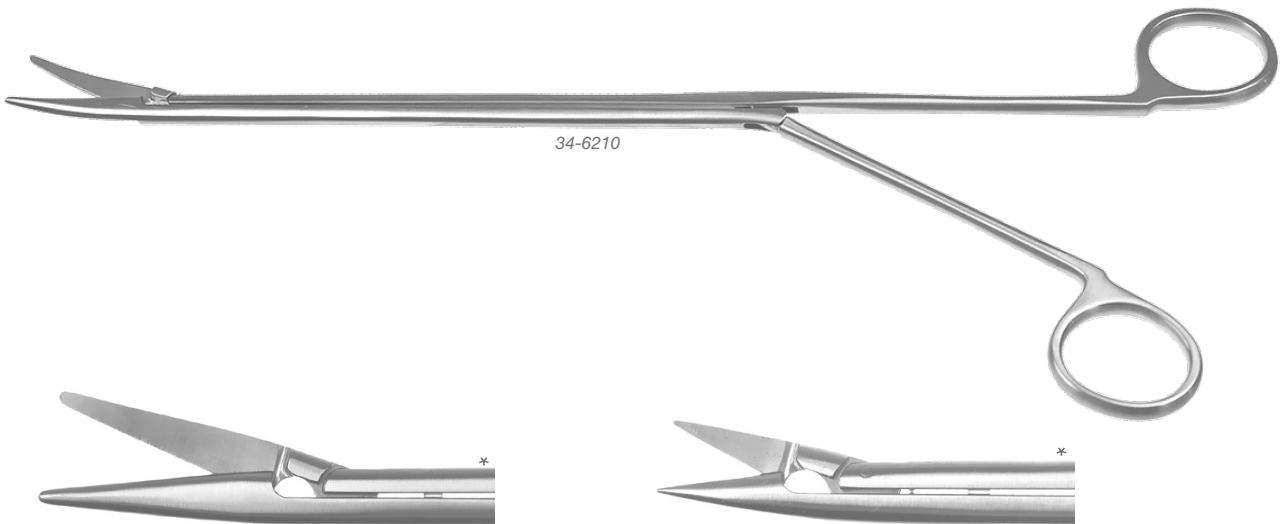


34-7323

Jaw: 55 mm, slightly, curved
Ratchet: without
Length: 360 mm

34-7338

Jaw: 30 mm curved,
Ratchet: without
Length: 290 mm



34-6210

acc. Metzenbaum
Blade: 35 mm, curved
Ratchet: without
Length: 320 mm

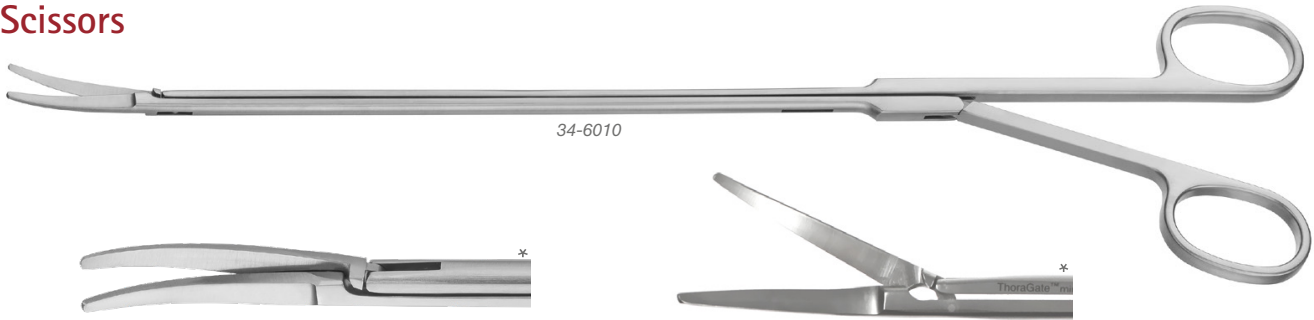
34-6211

acc. Metzenbaum
Blade: 25 mm, curved
Ratchet: without
Length: 305 mm



ThoraGate™ miniVATS

Scissors



34-6010

acc. Metzenbaum
Jaw: slightly curved
Ratchet: without
Length: 330 mm



34-6012

acc. Metzenbaum
Jaw: strongly curved
Ratchet: without
Length: 330 mm



34-7339

acc. Metzenbaum
Jaw: TC, slightly curved
Ratchet: without
Length: 360 mm

Needle Holders TC



34-6020

Jaw: straight, strong
Ratchet: with
Length: 315 mm



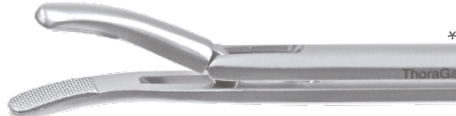
34-6021

Jaw: curved, strong
Ratchet: with
Length: 315 mm



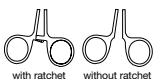
34-6025

Jaw: straight, delicate
Ratchet: with
Length: 315 mm

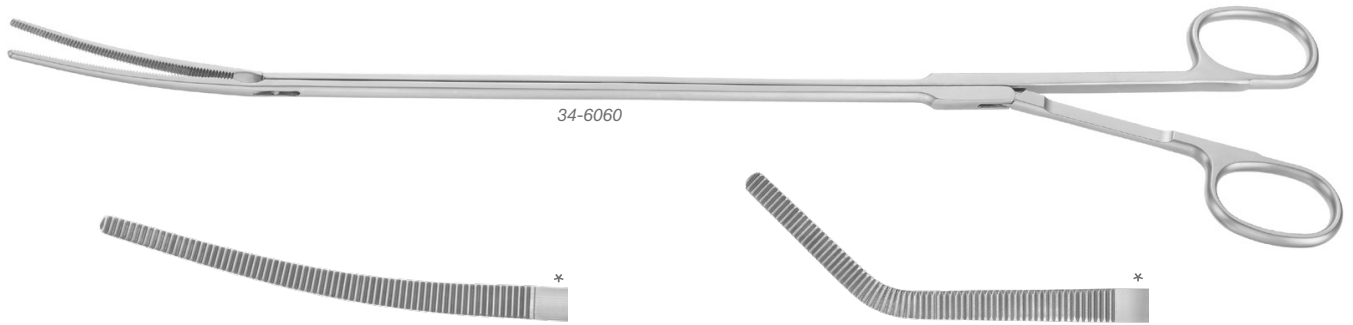


34-6026

Jaw: curved, delicate
Ratchet: with
Length: 315 mm

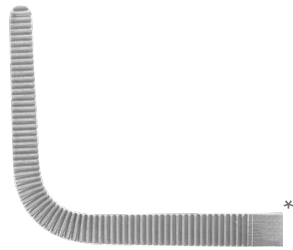


Dissection



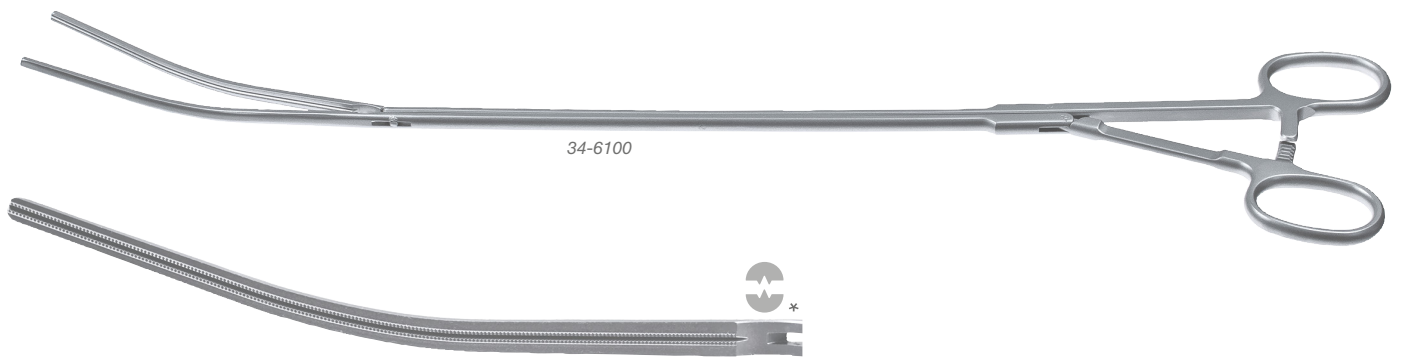
	34-6060	34-6061
Jaw:	slightly curved,	with
Ratchet:	without	with
Length:	350 mm	

	34-6062	34-6063
Jaw:	45° curved,	with
Ratchet:	without	with
Length:	350 mm	

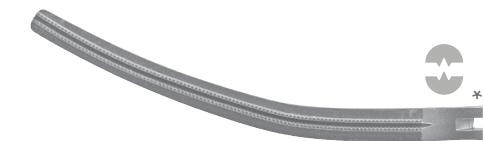


	34-6064	34-6065
Jaw:	90° curved,	
Ratchet:	without	with
Length:	330 mm	

Atraumatic Clamps



	34-6100
Jaw:	curved 1x2 DeBakey-serrations
Ratchet:	with
Length:	390 mm



	34-6101	34-6101.SP
Jaw:	60 mm, curved 1x2 DeBakey-serrations	
Ratchet:	without	with
Length:	350 mm	



Graspers

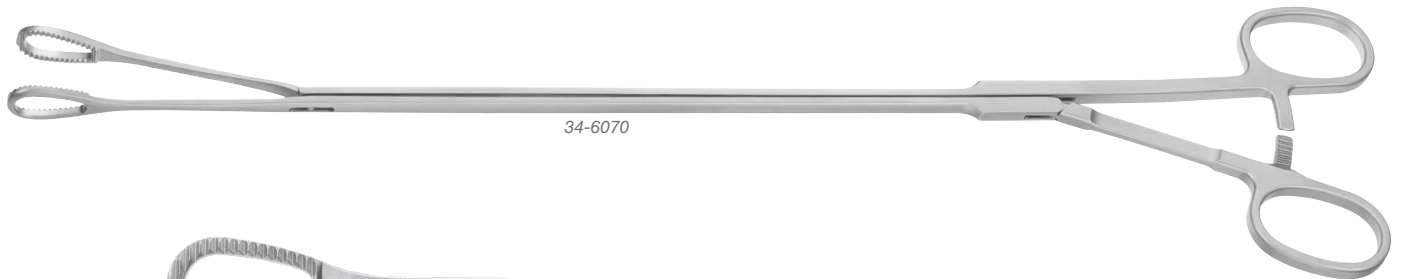


34-6040



34-6040

acc. Allis
Jaw: straight
Ratchet: with
Length: 345 mm

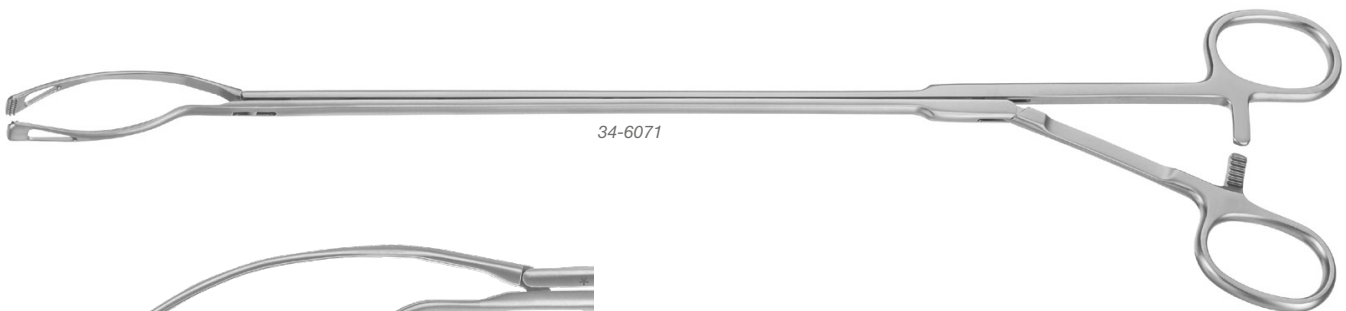


34-6070



34-6070

acc. Foerster
Jaw: 20x13 mm, oval ring, straight
Ratchet: with
Length: 360 mm



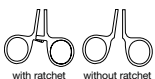
34-6071



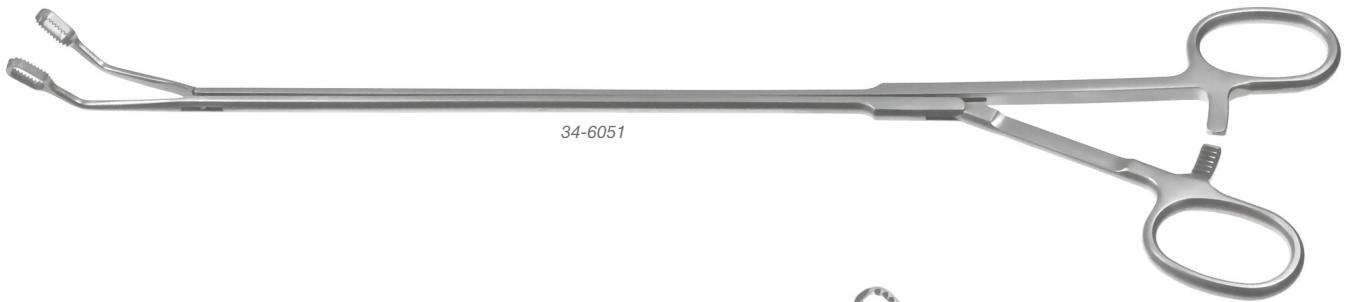
34-6071

34-6071.NC

acc. Duval
Jaw: 8 mm, 30° curved
Ratchet: without with
Length: 345 mm



Node Graspers



34-6051



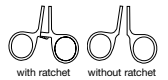
34-6050 **34-6050.NC**

Jaw: 6x11 mm, straight
Ratchet: with without
Length: 345 mm

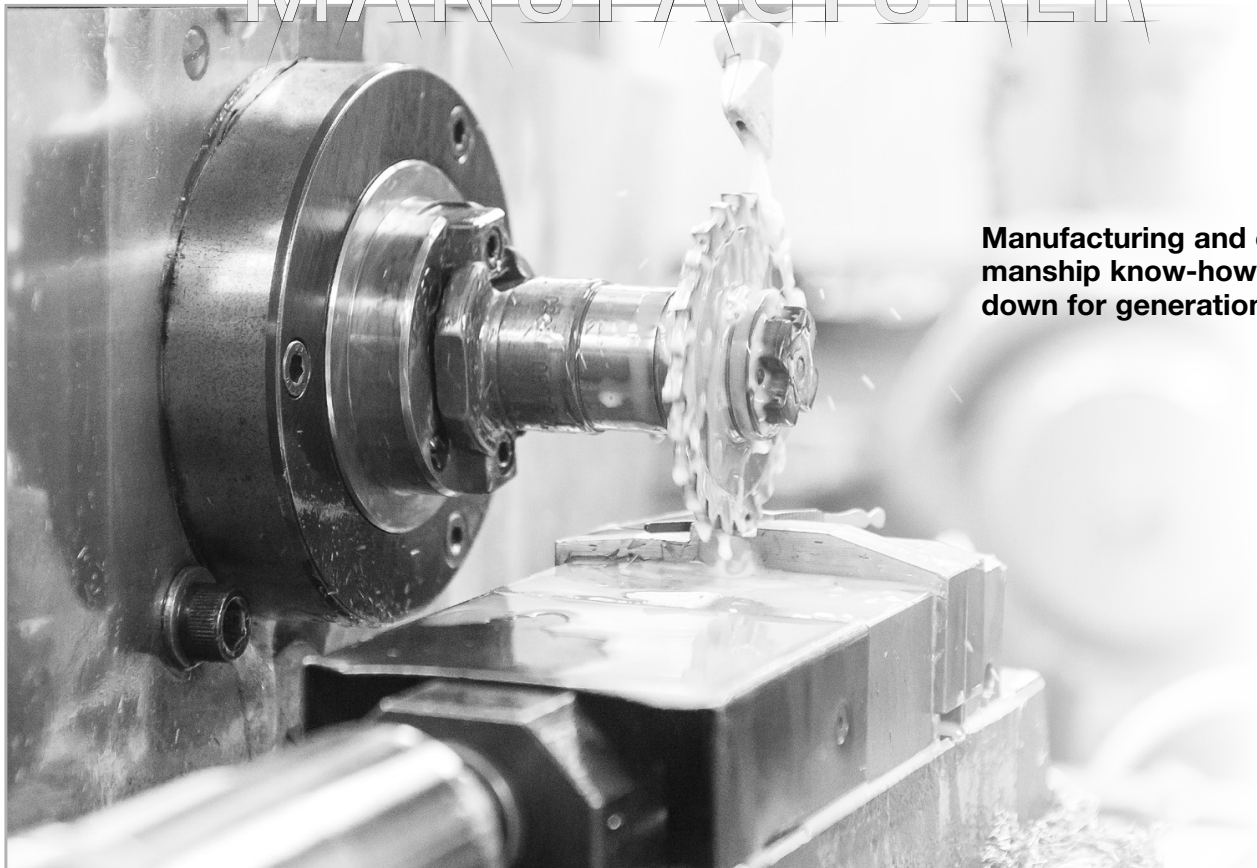


34-6051 **34-6051.NC**

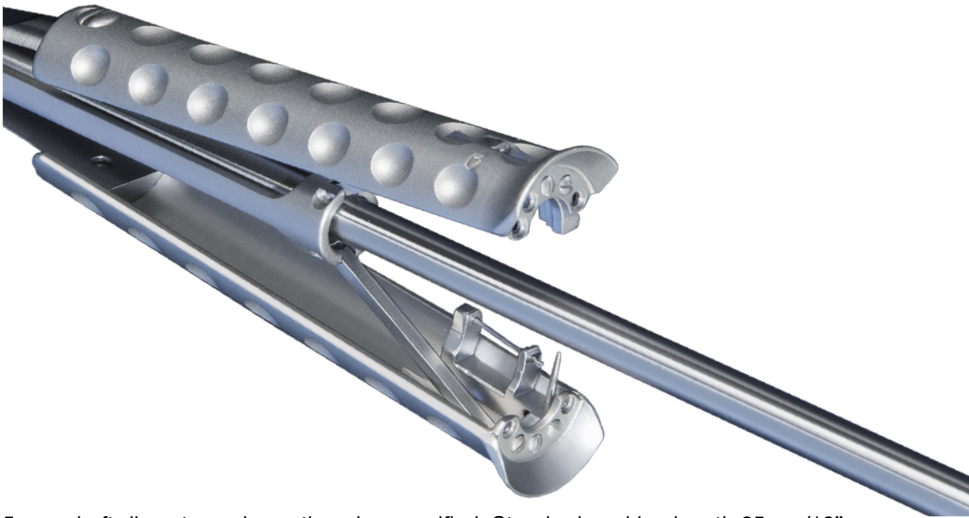
Jaw: 6 x11 mm, 45° angled up
Ratchet: with without
Length: 345 mm



MANUFACTURER



Manufacturing and craft-
 manship know-how passed
 down for generations.



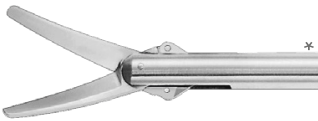
ValveGate™ PRO

with their solid modern design are a progressive alternative for thoracic surgery instruments, tried and tested for minimal surgery in different demanding fields and recognized as efficient and reliable in VATS.

5 mm shaft diameter, unless otherwise specified. Standard working length 25 cm/10". For different length add "A", "B", "C", "S", "L" or "XL" behind article number.

A = 10 cm/4" B = 12 cm/5" C = 15 cm/6" S = 17 cm/6¾"
L = 30 cm/12" XL = 35 cm/14"

Scissors



38-7830

15°, double-action



38-7831

acc. Jameson



38-7832

20°, single-action



38-7833

30°, Robust



38-7835

30°, double-action



38-7836

40°, single-action



38-7840

70°, double-action



38-7842

70°, Ligature, shaft gold plated partly



38-7860

acc. Potts 125°, micro, single action



38-7862

acc. Potts 45°, micro, single action



38-7863

acc. Potts 125°, Micro, single action



38-7861

acc. Potts 30°, Robust, single action heavy

Graspers



38-7816

Pliers, TC, 4.5 mm, soft



38-7820

1.5 mm with
1x2 DeBakey, serrations,
jaw 11 mm



38-7821

UP, 1.5 mm with
1x2 DeBakey, serrations
jaw 14 mm



38-7822

SIDE, 1.5 mm with
1x2 DeBakey serrations
jaw 18 mm



38-7824

acc. Resano
2.9 mm, jaw 16 mm



38-7825

acc. Resano
2.9 mm, jaw 16 mm



38-7826

SOFT, 4.5 mm with
2x3 DeBakey serrations
jaw 14 mm



38-7827

MALL, 1.5 mm with
1x2 DeBakey serrations
jaw 11 mm



38-7881

acc. DeBakey
with 1x2 DeBakey serrations
jaw 22x1.5 mm



38-7917

1.5 mm, curved
with 1x2 DeBakey serrations
jaw 14 mm



38-7918

10°, 1.5 mm with
1x2 DeBakey serrations
jaw 14 mm



38-7919

25°, 1.5 mm with
1x2 DeBakey serrations
jaw 14 mm



38-7922

1.5 mm with
1x2 DeBakey serrations
jaw 14 mm



38-7567

Lymph Node Grasper
angled up, jaw 7 mm ovale,
atraumatic



38-7928

long, 2,8x25 mm teeth,
jaw 40 mm



38-7929

Russian, jaw 6,8x5,3 mm



Needle Holders



38-7799

acc. **Crile-Wood**
TC, curved with catch



38-7800

TC, with catch



38-7802

TC, curved with catch



38-7803

acc. **Colvin**, TC, curved
with catch short jaw



38-7804

acc. **Crile-Wood**
TC, Micro, with catch



38-7805

TC, Ryder, with catch



38-7806

TC, Mini, curved with
catch



38-7807

TC, Micro, upwards with
catch

Dissecting Graspers



38-7823

acc. **Lange**, with catch,
push to close



38-7828

acc. **Gemini**, smooth,
pushing action



38-7878

Micro, IMA, upwards
0.8 mm with 1x2
mouse-teeth

Accessories



34-7484

Hook, Vessel, blunt

Length: 350 mm



34-7485

Hook, Nerve

Length: 350 mm



34-7486

Hook, Nerve with Ball

Length: 350 mm



34-7475

Catcher, Suture, 1.8 mm

Length: 355 mm



34-7465

Pusher,
for Valve positioning

Length: 350 mm



34-7470

Scalpel, Handle,
for mini-blades

Length: 370 mm



34-7471

Scalpel, Handle
for #11 blades

Length: 350 mm



34-7480

Probe, Magnet

Length: 350 mm

Accessories

**34-7494**

acc. Adams-Yozu,
Pusher, Knot, double-ended
Length: 350 mm

**34-7495**

Pusher, Knot
Length: 350 mm

**34-7496**

Pusher, Knot, with disc
Length: 370 mm

**38-7460**

Clip-Appling
for Vitalitec S
Length: 370 mm

**38-7850**

Pusher, Knot, shorts jaw
pulling action

**38-7851**

Pusher, Knot, shorts jaw
auf pressure

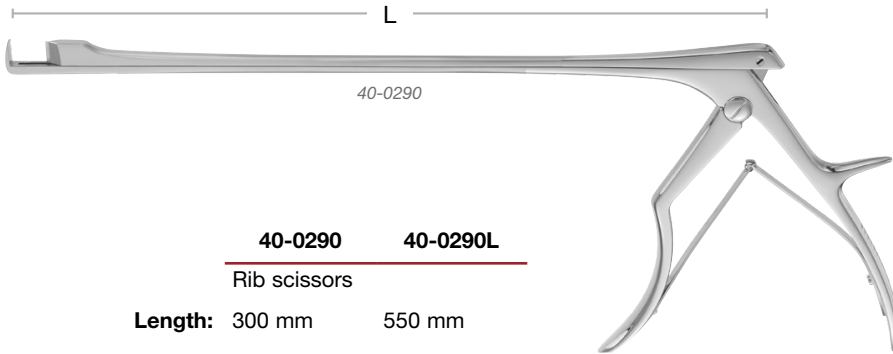
5 mm shaft diameter, unless otherwise specified. Standard working length 25 cm/10".
For different length add "A", "B", "C", "S", "L" or "XL" behind article number.

A = 10 cm/4" B = 12 cm/5" C = 15 cm/6" S = 17 cm/6¾" L = 30 cm/12" XL = 35 cm/14"

QUALITY GUARANTEE

Experience why German
workmanship enjoys a solid
reputation in the surgical
field since over a century.





	40-0290	40-0290L
	<hr/>	
	Rib scissors	
Length:	300 mm	550 mm

Knot Pusher



	34-7493
	<hr/>
	with blue silicone handle
Length:	315 mm



	34-7494
	<hr/>
	acc. Adams-Yozu
Jaw:	double-ended
Length:	350 mm

Graspers axial handle with rings, tube-shaft

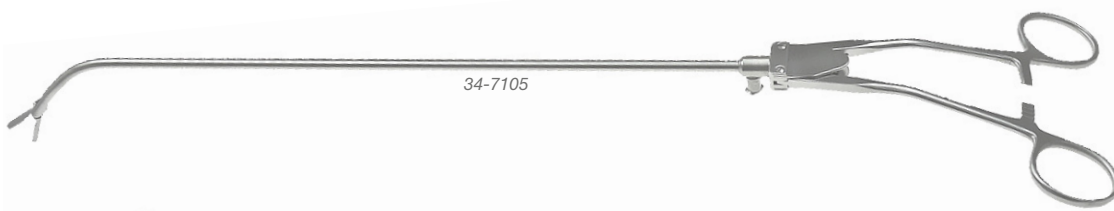


34-7100



34-7100

Jaw: Sponge, curved
Ratchet: with
Length: 350 mm

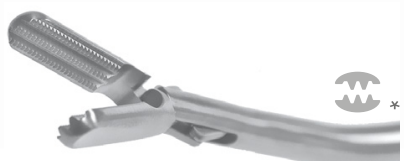
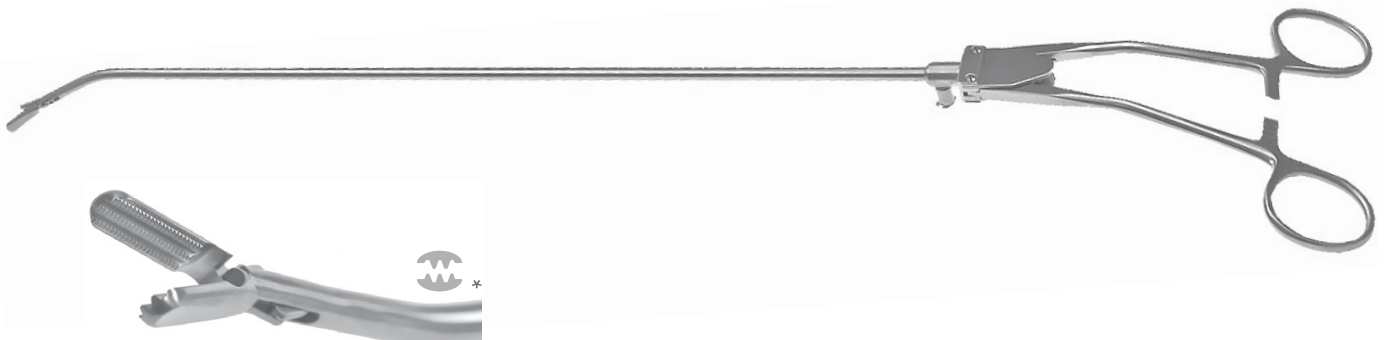


34-7105



34-7105

Jaw: 2x3, DeBakey serration curved
Ratchet:
Length: 320 mm



34-7106

Jaw: 2x3 DeBakey serration curved
Ratchet: with
Length: 360 mm

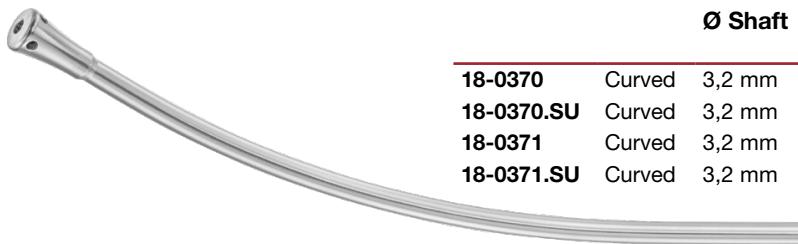


acc. Jamie Dissections

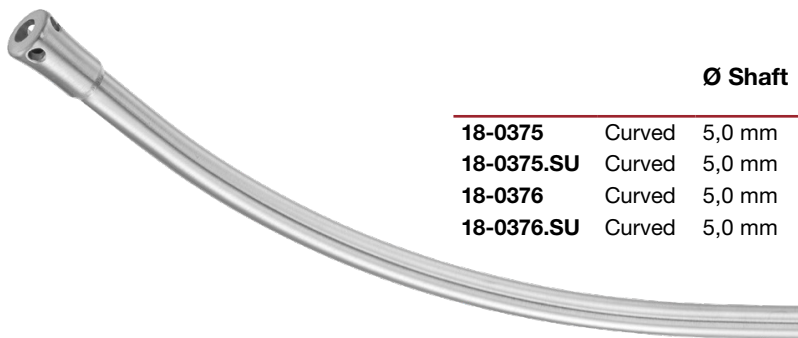


		Ø Hole/Ball	length	
18-0420	straight	1,5 mm	270 mm	with Mandrin
18-0420.01	straight	1,0 mm	270 mm	with Mandrin
18-0420.09	straight	0,5 mm	270 mm	with Mandrin
18-0420.10	straight	1,0 mm	210 mm	with Mandrin
18-0420.02	60° angled	1,0 mm	260 mm	without Mandrin
18-0420.03	90° angled	1,5 mm	270 mm	without Mandrin
18-0420.04	Fino, straight	1,5 mm	290 mm	without Mandrin
18-0420.05	Fino, 30° angled	1,5 mm	290 mm	without Mandrin
18-0420.06	30° angled	0,5 mm	270 mm	with Mandrin
18-0420.11	15° angled	0,5 mm	270 mm	with Mandrin
18-0420.07	30° angled	1,0 mm	270 mm	with Mandrin
18-0420.12	15° angled	1,0 mm	270 mm	with Mandrin
18-0420.08	30° angled	1,0 mm	270 mm	with Mandrin
18-0420.MA	spare part Mandrin			

Suction Tubes



		Ø Shaft	Ø Tip	working length	length	
18-0370	Curved	3,2 mm	6,0 mm	170 mm	310 mm	
18-0370.SU	Curved	3,2 mm	6,0 mm	170 mm	310 mm	variable suction
18-0371	Curved	3,2 mm	6,0 mm	220 mm	360 mm	
18-0371.SU	Curved	3,2 mm	6,0 mm	220 mm	360 mm	variable suction



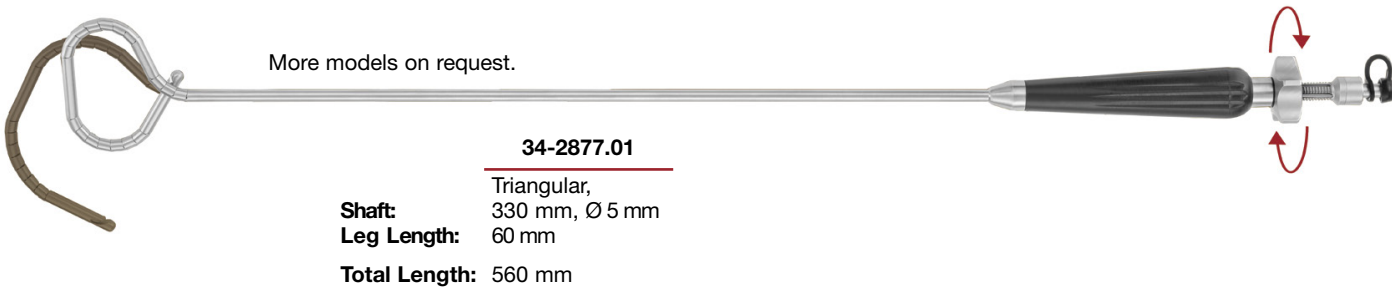
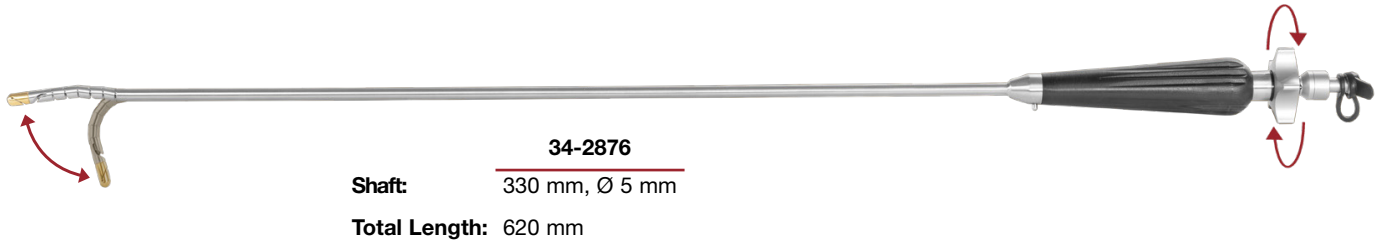
		Ø Shaft	Ø Tip	working length	length	
18-0375	Curved	5,0 mm	7,5 mm	220 mm	360 mm	
18-0375.SU	Curved	5,0 mm	7,5 mm	220 mm	360 mm	variable suction
18-0376	Curved	5,0 mm	7,5 mm	320 mm	455 mm	
18-0376.SU	Curved	5,0 mm	7,5 mm	320 mm	455 mm	variable suction



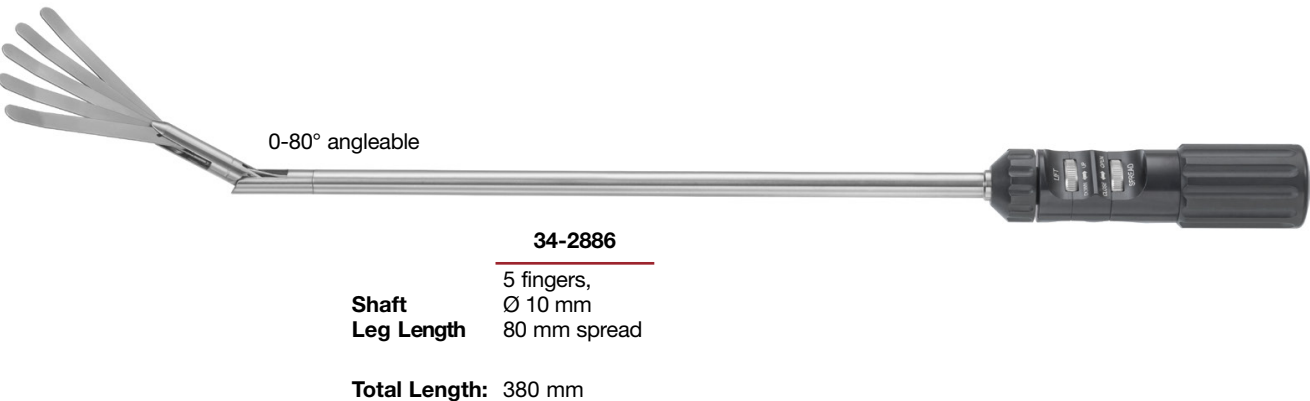
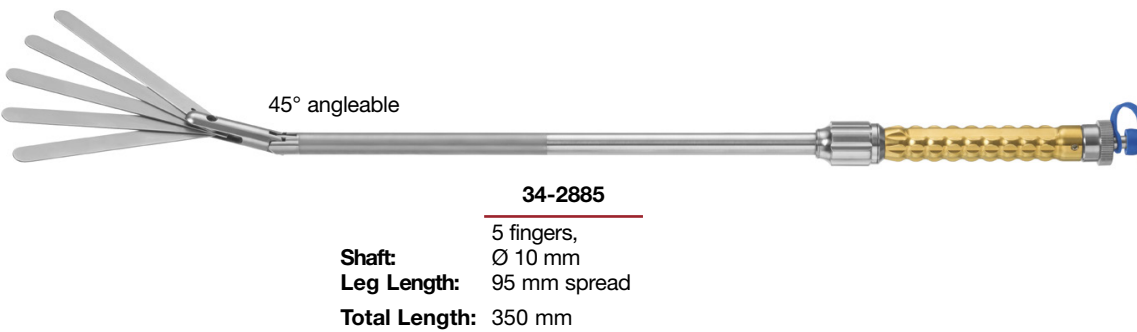
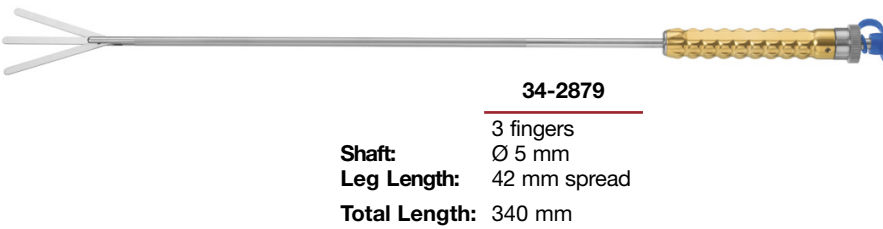
		Ø Shaft	working length	length	
18-0380	straight	5,0 mm	320 mm	455 mm	
18-0380.SU	straight	5,0 mm	320 mm	455 mm	variable suction
18-0381	straight	10,0 mm	320 mm	455 mm	
18-0381.SU	straight	10,0 mm	320 mm	455 mm	variable suction

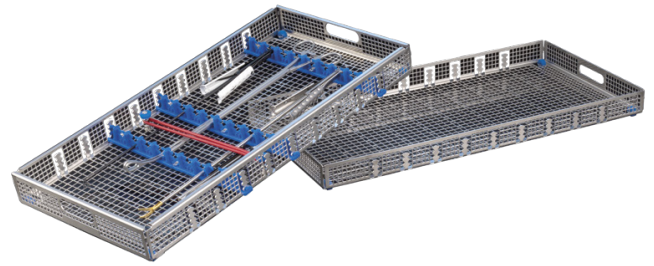
Articulating Retractors

With flush port aids and actuating knob



Spreading Fan Retractors





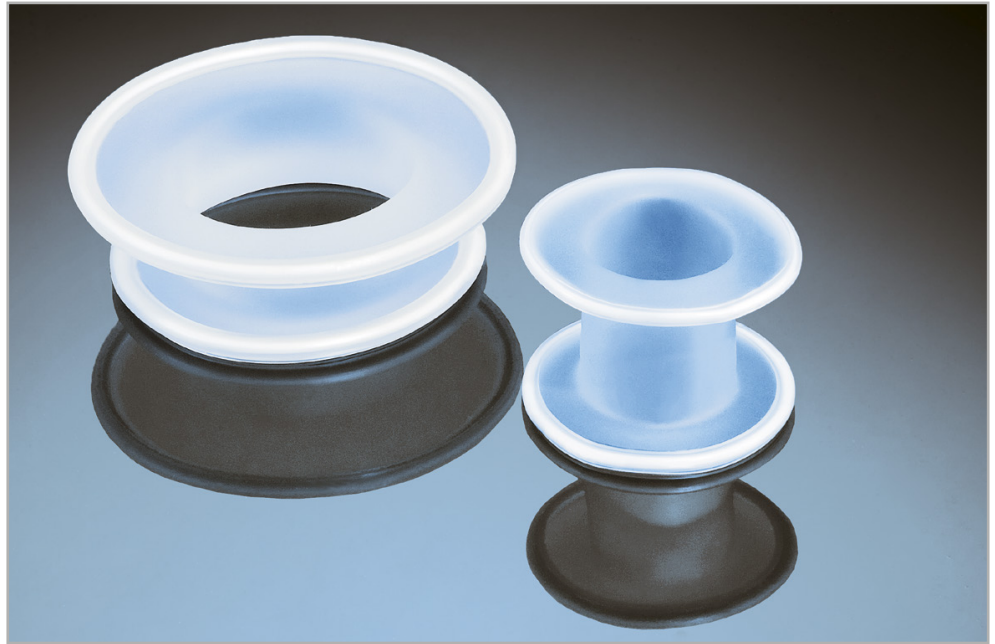
Art.-No	Description
01-1372	VATS/ThoraGate™ Soft-Touch Set Basic
18-0375	Cannula, Suction, VATS, without control, 360 mm, 220 mm, 7.5 mm, curved, Ø 5.0 mm
34-6090	Clamp, Atraumatic, slider-shaft, 320 mm, 50/13 mm, 30° angled
34-6210	Scissors, slider-shaft, acc. Metzenbaum , 32 mm, 150 mm, curved
34-6232	Clamp, Atraumatic, slider-shaft, 335 mm, 75/60 mm, strongly curved
34-6268	Graspers, slider-shaft, 340 mm, Cobra Dissector, angled jaw 7.5x6 mm
34-6281	Graspers, Node, slider-shaft, 325 mm, 150 mm, 4x11 mm jaw, 20° curved
34-7850	Pusher, Knot, Tube-shaft, shorts jaw pulling action
34-7881S	Graspers, Atraumatic, acc. DeBakey , 1.5 mm with 1x2 DeBakey serrations 22 mm
38-7802	Holder, Needle, TC, Tube-shaft, curved with catch
77-3621	Tray, Sterilization, DIN Special, 480x240x45 mm, with lid
29-1399	FF1210H - Protector, Access, MICS/VATS, sterile latex-free standard 120x100 mm, 2-er Pack, producer's details in box
29-1399S	FF0707L - Protector, Access, MICS/VATS, sterile latex-free small 70x70 mm, 2-er Pack, producer's details in box

Art.-No	Description
01-1373	VATS/ThoraGate™ Set small
34-7301	Clamp, Atraumatic, slider-shaft, 370 mm, 115/100 mm, 1x2 DeBakey-serrations
34-7323	Scissors, slider-shaft, acc. Metzenbaum , 360 mm, slightly curved, 55 mm
34-7328	Graspers, slider-shaft, acc. Foerster , 340 mm, curved, 7 mm
34-7330	Graspers, slider-shaft, acc. Foerster , 350 mm, curved, jaw 10x5 mm, 10 mm
34-7336	Graspers, slider-shaft, acc. Duval , 345 mm, curved, atraumatic
34-7352	Holder, Needle, TC, slider-shaft, 340 mm, curved
34-7380	Cannula, Suction, VATS, acc. Yankauer
77-3621	Tray, Sterilization, DIN Special, 480x240x45 mm, with lid
29-1399	FF1210H - Protector, Access, MICS/VATS, sterile latex-free standard 120x100 mm, 2-er Pack, producer's details in box
29-1399S	FF0707L - Protector, Access, MICS/VATS, sterile latex-free small 70x70 mm, 2-er Pack, producer's details in box

Art.-No	Description
01-1374	VATS/ThoraGate™ Set large
34-7301	Clamp, Atraumatic, slider-shaft, 370 mm, 115/100 mm, 1x2 DeBakey-serrations
34-7302	Clamp, Atraumatic, slider-shaft, 330 mm, 65/50 mm, 1x2 DeBakey-serrations
34-7303	Clamp, Atraumatic, slider-shaft, 345 mm, 90/75 mm, 1x2 DeBakey-serrations
34-7313	Clamp, Pusher, acc. DeBakey-Cooley , 350 mm, 70/55 mm, 90° curved, without ratchet
34-7317	Graspers, slider-shaft, acc. Harken , 350 mm, 85/70 mm, Fig.1, 1x2, without ratchet
34-7318	Graspers, slider-shaft, acc. Harken , 350 mm, Fig.2, 1x2, without ratchet
34-7323	Scissors, slider-shaft, acc. Metzenbaum , 360 mm, slightly curved, 55 mm
34-7325	Graspers, slider-shaft, acc. Allis , 340 mm, curved
34-7328	Graspers, slider-shaft, acc. Foerster , 340 mm, curved, 7mm
34-7330	Graspers, slider-shaft, acc. Foerster , 350 mm, curved, jaw 10x5 mm, 10 mm
34-7334	Graspers, slider-shaft, acc. Duval , 340 mm, 25 mm, curved
34-7335	Graspers, slider-shaft, acc. Duval , 340 mm, 15 mm, curved
34-7352	Holder, Needle, TC, slider-shaft, 340 mm, curved
34-7380	Cannula, Suction, VATS, acc. Yankauer
34-7381	Cannula, Suction, VATS, acc. Yankauer , 460 mm
77-3621	Tray, Sterilization, DIN Special, 480x240x45 mm, with lid
29-1399	FF1210H - Protector, Access, MICS/VATS, sterile latex-free standard 120x100 mm, 2-er Pack, producer's details in box
29-1399S	FF0707L - Protector, Access, MICS/VATS, sterile latex-free small 70x70 mm, 2-er Pack, producer's details in box

ValveGate™ LapProtector™ Access Device

The ValveGate™ LapProtector™ for Minimally Invasive Valve Surgery is a sterile, single patient use wall access device consisting of 2 overlaid plastic rings that are interconnected by means of a silicone rubber membrane. The bottom ring is a flexible ring made with a shape memory alloy to be inserted in situ.



The special features are:

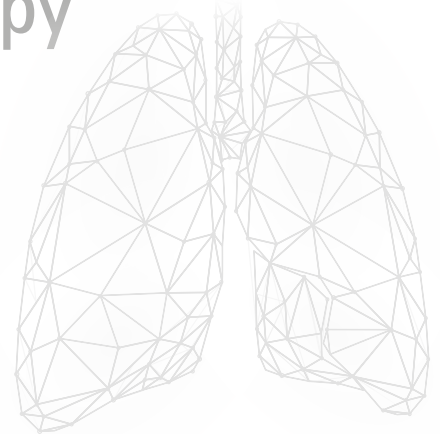
- clear and unimpeded access to surgical site in minimally invasive valve or bypass surgery, MIDCAB, V.A.T.S., transcatheter or transapical valve replacement a.o.
- protects wound edge and surrounding tissue
- usable with or without retractor
- can be used in combination with incision foil
- reduces risk of embolic fat particles on instruments, sutures and knot pushers
- improves visibility and exposure
- self-holding, for incisions from 6 cm to 9 cm (regular size) and from 3 cm to 5 cm (small size)
- very easy to insert in situ
- high flexibility
- latex-free silicone rubber

Art.-No	LapProtector™
29-1399	FF1210H - Protector, Access, MICS/VATS, sterile latex-free standard 120x100 mm, 2-er Pack, producer's details in box
29-1399S	FF0707L - Protector, Access, MICS/VATS, sterile latex-free small 70x70 mm, 2-er Pack, producer's details in box

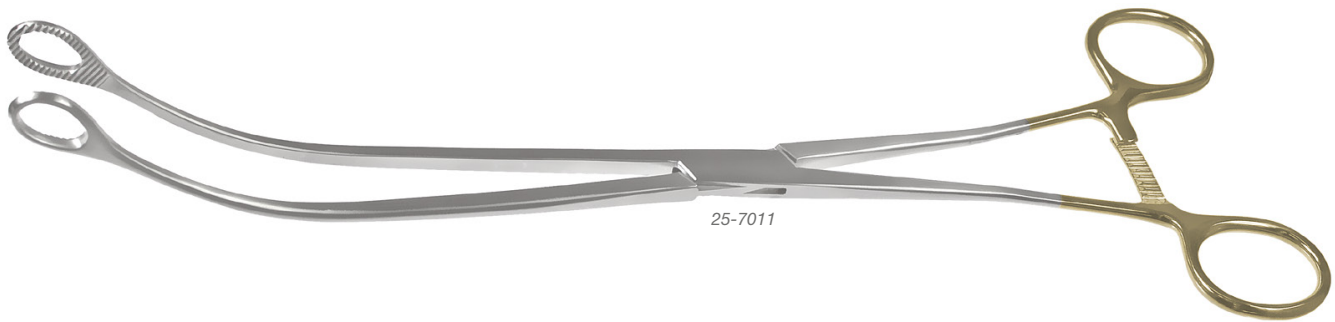




ThoraGate™ VATS/Thoracoscopy VATSation™



Clamps, Ring, Thoracoscopy, Direct Access



25-7011

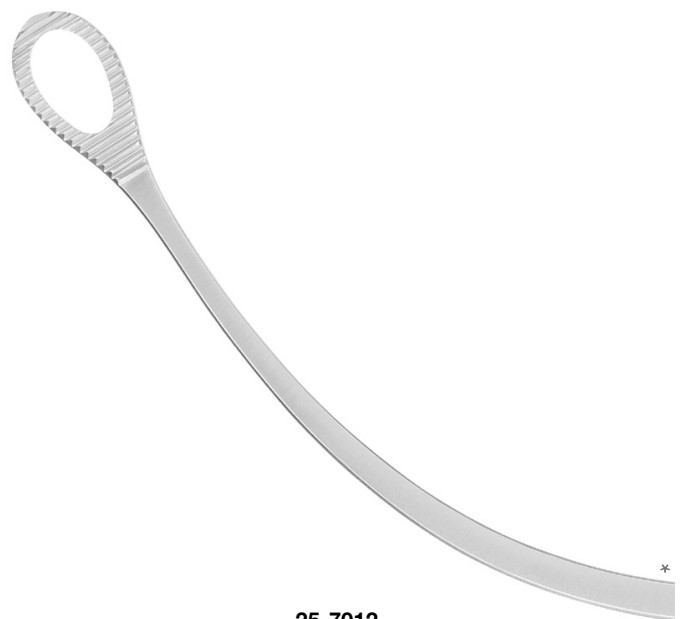


25-7010

straight

Ratchet: with

Length: 320 mm



25-7012

strongly
curved

Ratchet:

Length: 265 mm

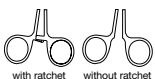


25-7011

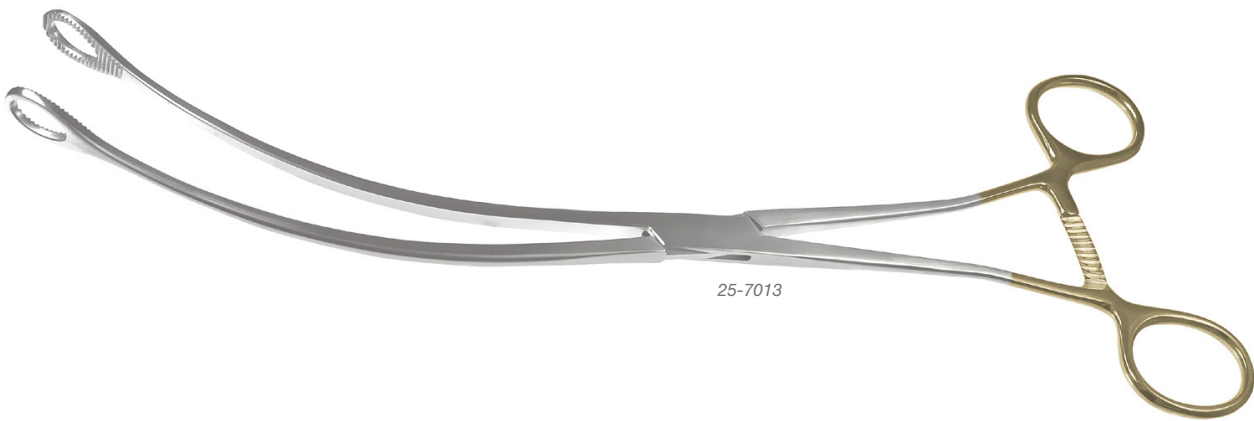
curved
with

Ratchet:

Length: 300 mm



with ratchet without ratchet



25-7013



25-7013

side-curved

Ratchet: with

Length: 305 mm



25-7014

handle curved, downwards

Ratchet: with

Length: 300 mm



25-7015

Jaw: curved 90° downwards

Ratchet: with

Length: 305 mm

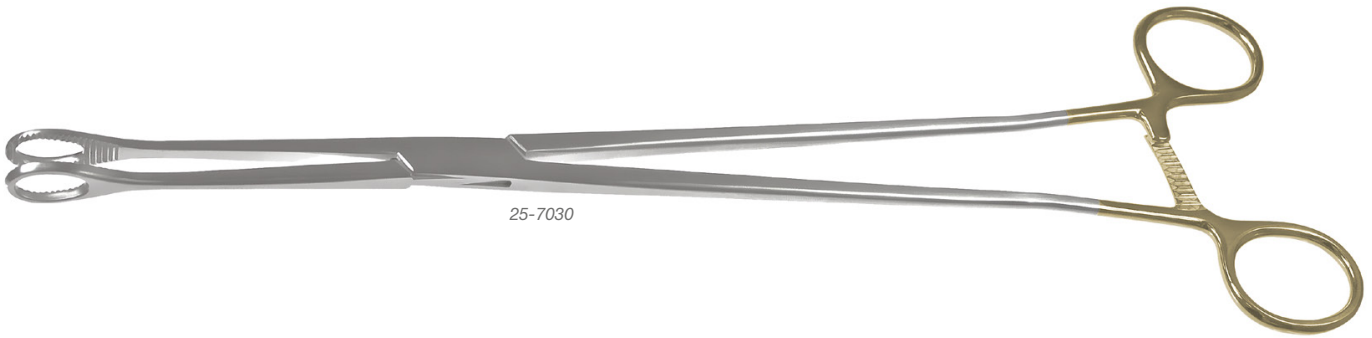


25-7016

Jaw: curved downwards

Ratchet: with

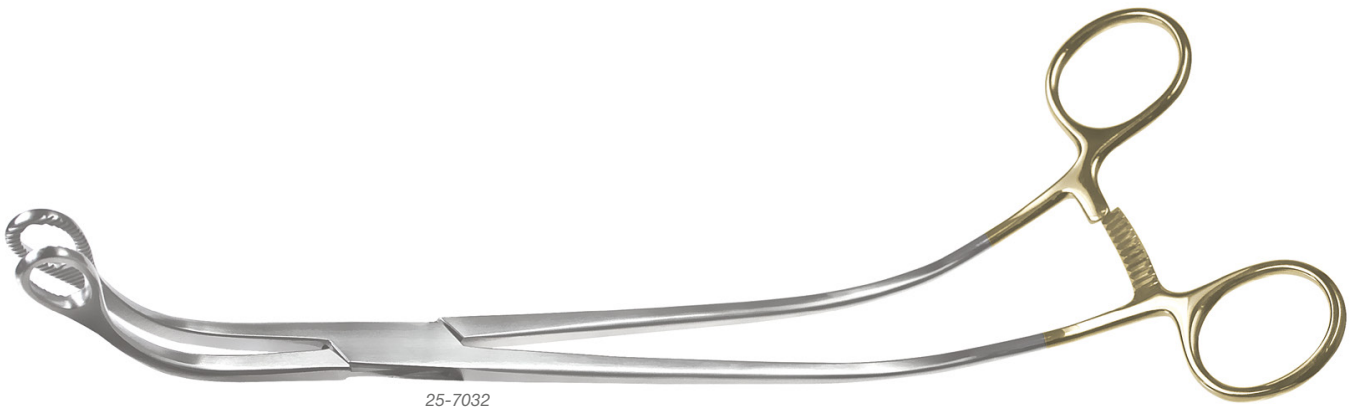
Length: 300 mm



25-7030



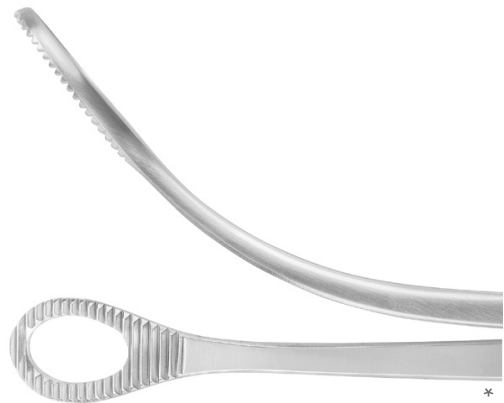
	25-7030	25-7034
Jaw	short	short handle curved downwards
Ratchet:	with	with
Length:	320 mm	320



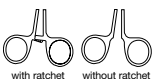
25-7032



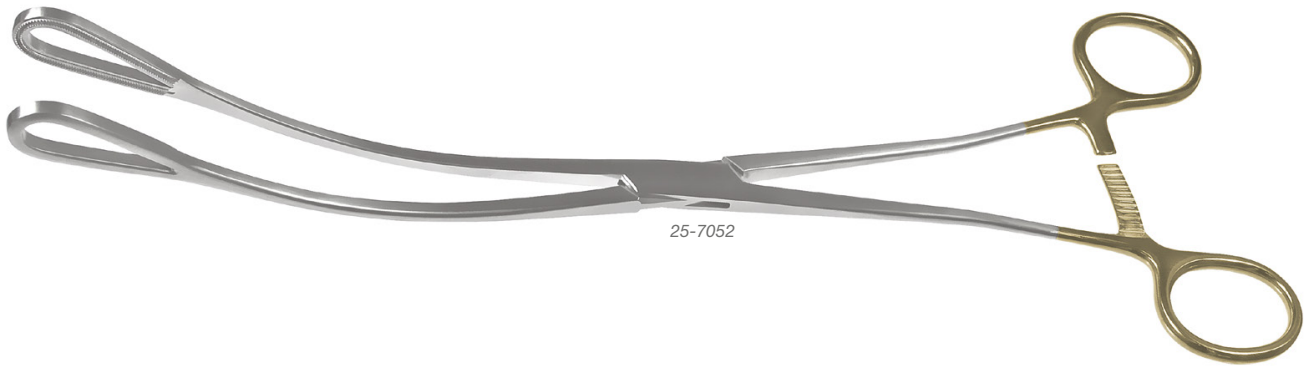
	25-7031	25-7032
Jaw	short, curved	short, strongly curved
Ratchet:	with	
Length:	320 mm	



	25-7033
Jaw	short, side-curved
Ratchet:	with
Length:	320 mm



with ratchet without ratchet



25-7052



25-7050

Jaw DeBakey serrations
Ratchet: with
Length: 320 mm



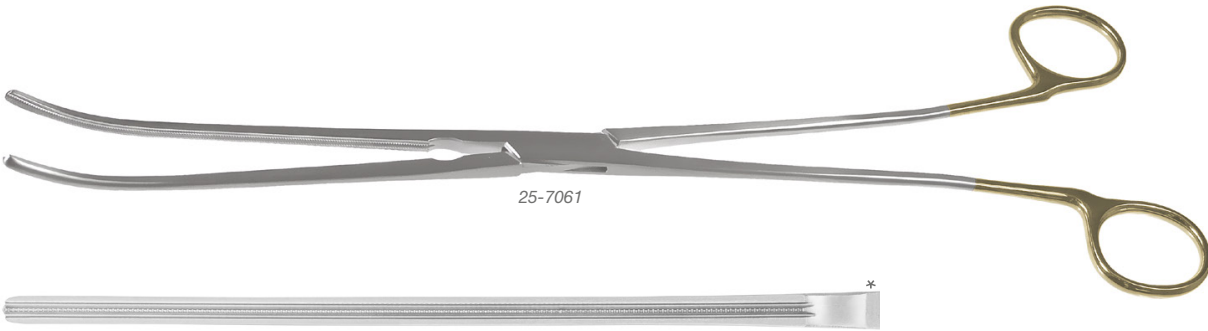
25-7052

Jaw DeBakey serrations, curved
Ratchet: with
Length: 300 mm



25-7051

Jaw DeBakey serrations, S-curved
Ratchet: with
Length: 300 mm



25-7061

	25-7060	25-7062
Jaw	DeBakey serrations	DeBakey serrations
Ratchet:	without	with
Length:	305 mm	305



	25-7061	25-7063
Jaw	curved with DeBakey serrations	curved with DeBakey serrations
Ratchet:	with	with
Length:	300 mm	300 mm

Spatula



28-5301



28-5300

slightly curved

Length: 360 mm



28-5301

strongly curved

Length: 360 mm



28-5302

straight

Length: 360 mm

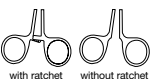
Hook



41-1040

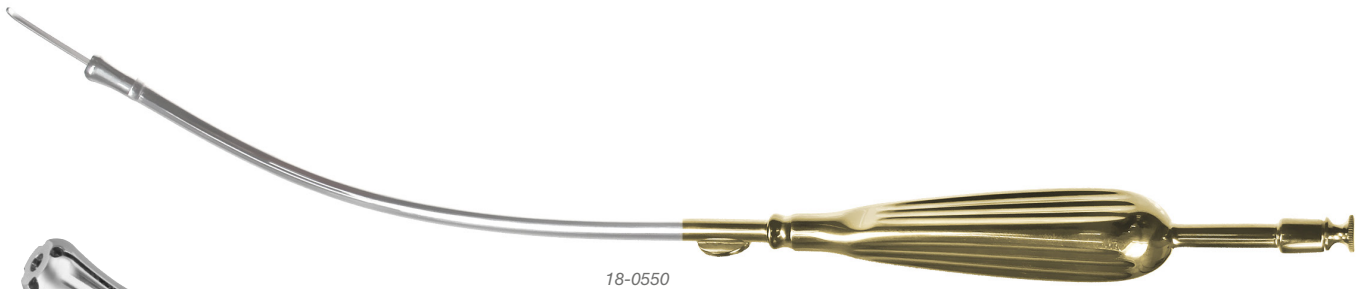
blunt

Length: 330 mm



with ratchet without ratchet

Suction, Cannula

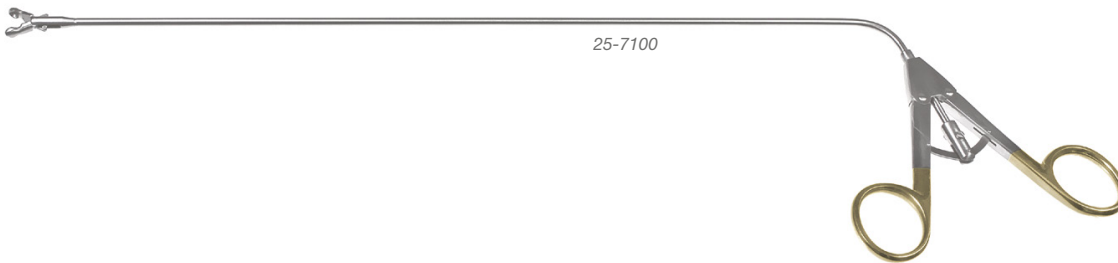


18-0550
with control
Length: 340 mm



18-0551
without control
large basket
Length: 300 mm

Biopsy, Graspers



25-7100
straight
Length: 320 mm



25-7101
curved
Length: 280 mm



CRAFTSMANSHIP 4.0



The difference between something good and something great is attention to detail.

For further information, please contact your local distributor or us, directly.

Efficient surgery. Less invasive. Optimum results.



The better way to operate™

www.geister.com

The better way to operate™

GEISTER®



GEISTER MEDIZINTECHNIK GMBH

Föhrenstrasse 2 | D-78532 Tuttlingen | Germany

☎ +49 7461/966240 | 📠 +49 7461/9662422

www.geister.com | info@geister.com



© Geister Medizintechnik GmbH 2022 | All rights reserved | Ref-Nr. 99-9043 | Rev. B
Subject to change without notice. Some products in this catalogue may not be approved
in your country. Please contact your local dealer for more information.